

THIS DRAWING IS UNPUBLISHED.

RELEASED FOR PUBLICATION

20

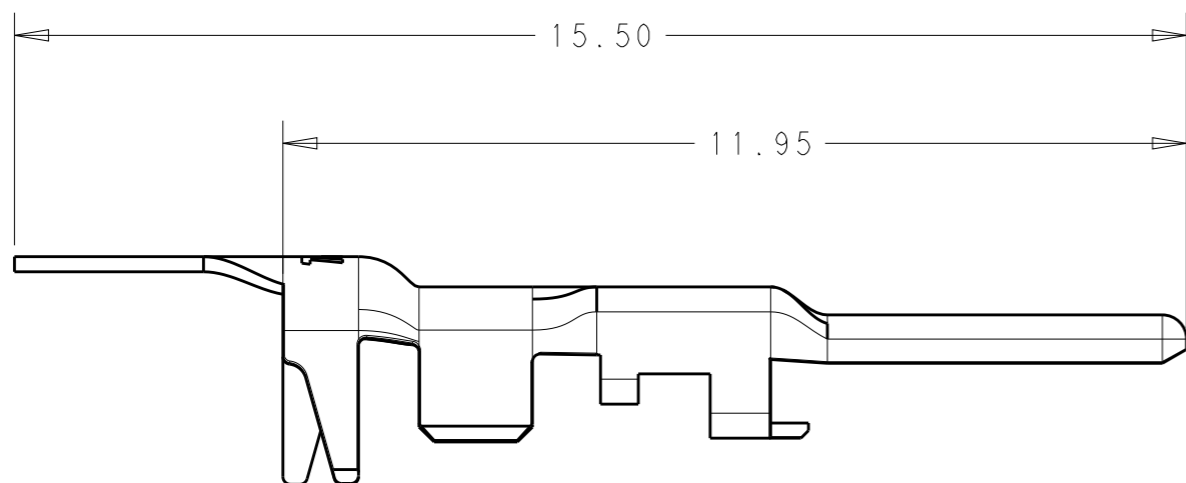
© COPYRIGHT 20

ALL RIGHTS RESERVED.

ES

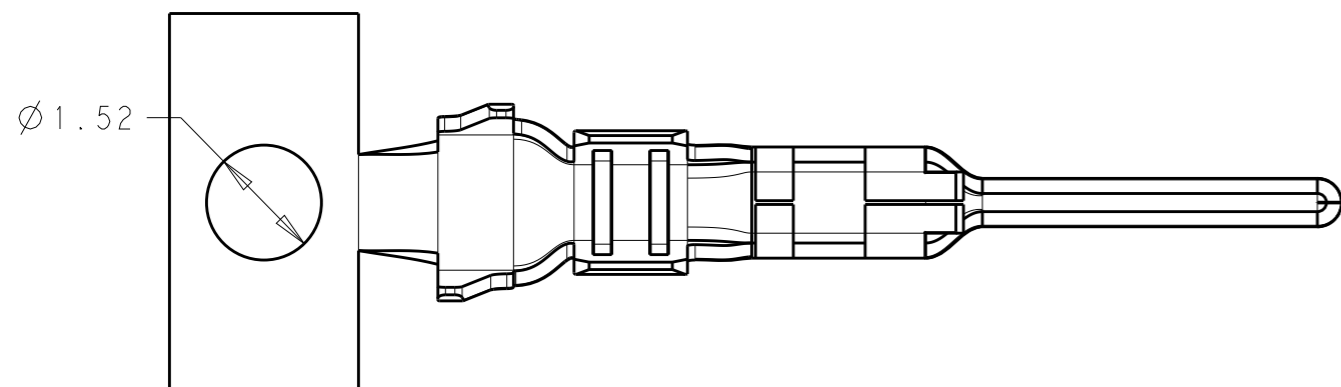
REVISIONS

P	LTR	DESCRIPTION	DATE	DWN	APVD
	A	INITIAL RELEASE	15JUL2016	W.Z	X.X



NOTES:

- ① MATERIAL: COPPER ALLOY
- ② FINISH: 2.0 MICRON MIN. TIN OVER NICKLE UNDERPLATED.
- ③ FINISH: GOLD FLASH PLATING ON CONTACT MATING AREA. TIN PLATING ON CRIMP AREA AND ALL NICKLE UNDERPLATED.
- 4. SEE TABLE FOR ALL THE PART NUMBERS.



1000 PCS/REEL	③	1.60-2.0	18-22 AWG	2-2834068-3
10,000 PCS/REEL	③	1.60-2.0	18-22 AWG	1-2834068-3
1000 PCS/REEL	②	1.60-2.0	18-22 AWG	2-2834068-2
10,000 PCS/REEL	②	1.60-2.0	18-22 AWG	1-2834068-2
PACKAGE Q'TY	FINISH	INSULATION DIAMETER RANGE	WIRE RANGE	PART NO

THIS DRAWING IS A CONTROLLED DOCUMENT.		DWN	15JULY2016	TE Connectivity	
		CHK	15JULY2016		
		APVD	15JULY2016		
		PRODUCT SPEC	108-137093		
DIMENSIONS: mm		TOLERANCES UNLESS OTHERWISE SPECIFIED: ±0.3		NAME	
		0-PLC ±		PIN CONTACT MINIATURE WATERPROOF CONNECTOR	
		1-PLC ±			
		2-PLC ±			
		3-PLC ±			
4-PLC ±		APPLICATION SPEC		SIZE	
4-PLC ANGLES ±5°		114-137093		CAGE CODE	
MATERIAL		FINISH		DRAWING NO	
I		-		A300779	
		WEIGHT		C-2834068	
		CUSTOMER DRAWING		RESTRICTED TO	
				-	
		SCALE 10:1		SHEET 1 OF 2	
				REV A	

THIS DRAWING IS UNPUBLISHED.

RELEASED FOR PUBLICATION

20

© COPYRIGHT 20

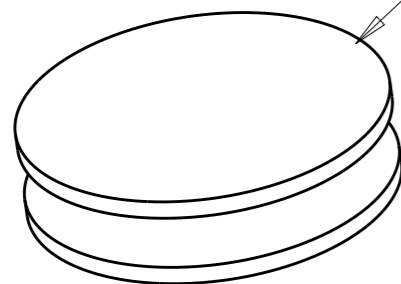
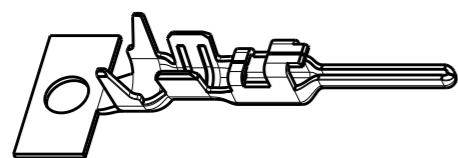
ALL RIGHTS RESERVED.

ES

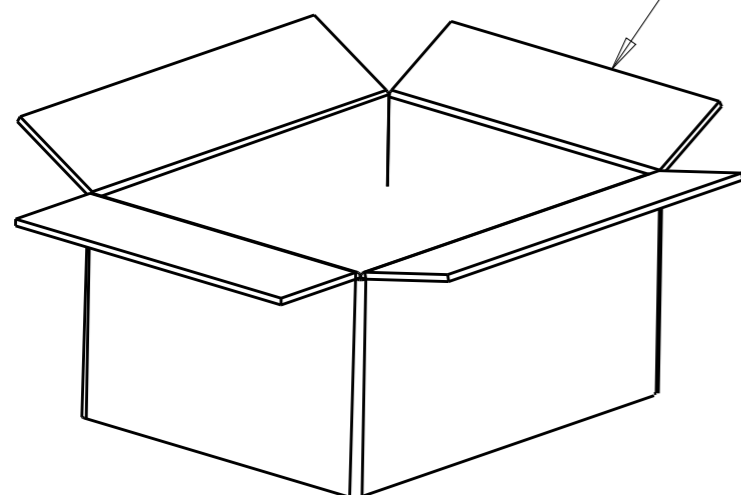
REVISIONS

P	LTR	DESCRIPTION	DATE	DWN	APVD
		SEE SHEET 1			

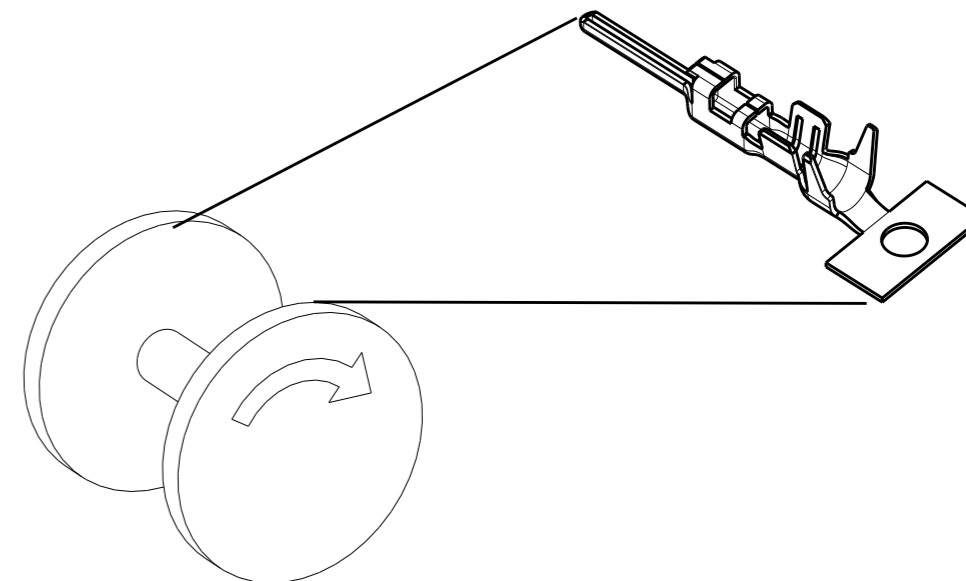
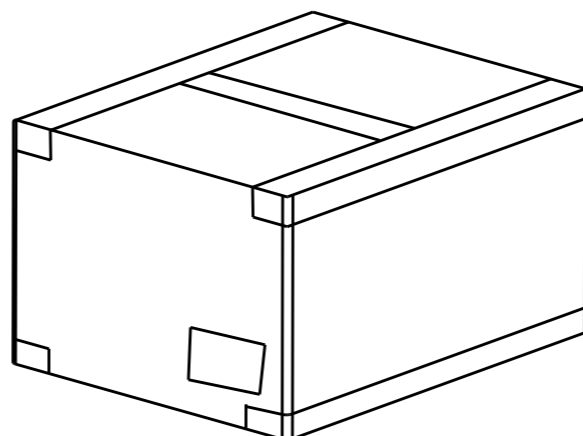
PACKAGE PART NUMBER LIST:
 1-2834068-2, 2-2834068-2, 1-2834068-3, 2-2834068-3,



REEL



CARTON



CONTACT WITH PLATING

NOTE:
 1. PUT PARTS IN THE REEL AS STAMPING&PLATING PROCESS.
 2. PUT PACKED REEL INTO CARTON.
 3. SEAL THE CARTON
 4. PACKAGING QUANTITY: SEE TABLE.
 5. PACKAGING SPEC : 107-137093.

PART NUMBER	PARTS PER REEL	REELS PER CARTON	PARTS PER CARTON
1-2834068-2	10,000 PCS	4	40,000 PCS
2-2834068-2	1000 PCS	3	3,000 PCS
1-2834068-3	10,000 PCS	4	40,000 PCS
2-2834068-3	1000 PCS	3	3,000 PCS

THIS DRAWING IS A CONTROLLED DOCUMENT.

DIMENSIONS: mm	TOLERANCES UNLESS OTHERWISE SPECIFIED: ± 0.3
	0-PLC ±
	1-PLC ±
	2-PLC ±
	3-PLC ±
	4-PLC ±
	ANGLES ± 5°
MATERIAL I	FINISH -

DWN ZHANG WEI 15 JULY 2016
CHK SHI MING 15 JULY 2016
APVD XU XIANG 15 JULY 2016
PRODUCT SPEC 108-137093
APPLICATION SPEC 114-137093
WEIGHT -
CUSTOMER DRAWING

STE TE Connectivity

NAME
PIN CONTACT
MINIATURE WATERPROOF CONNECTOR

SIZE A300779	CAGE CODE C-2834068	DRAWING NO	RESTRICTED TO
SCALE 10:1		SHEET 2 OF 2	REV A

Mouser Electronics

Authorized Distributor

Click to View Pricing, Inventory, Delivery & Lifecycle Information:

[TE Connectivity:](#)

[2-2834068-2](#)